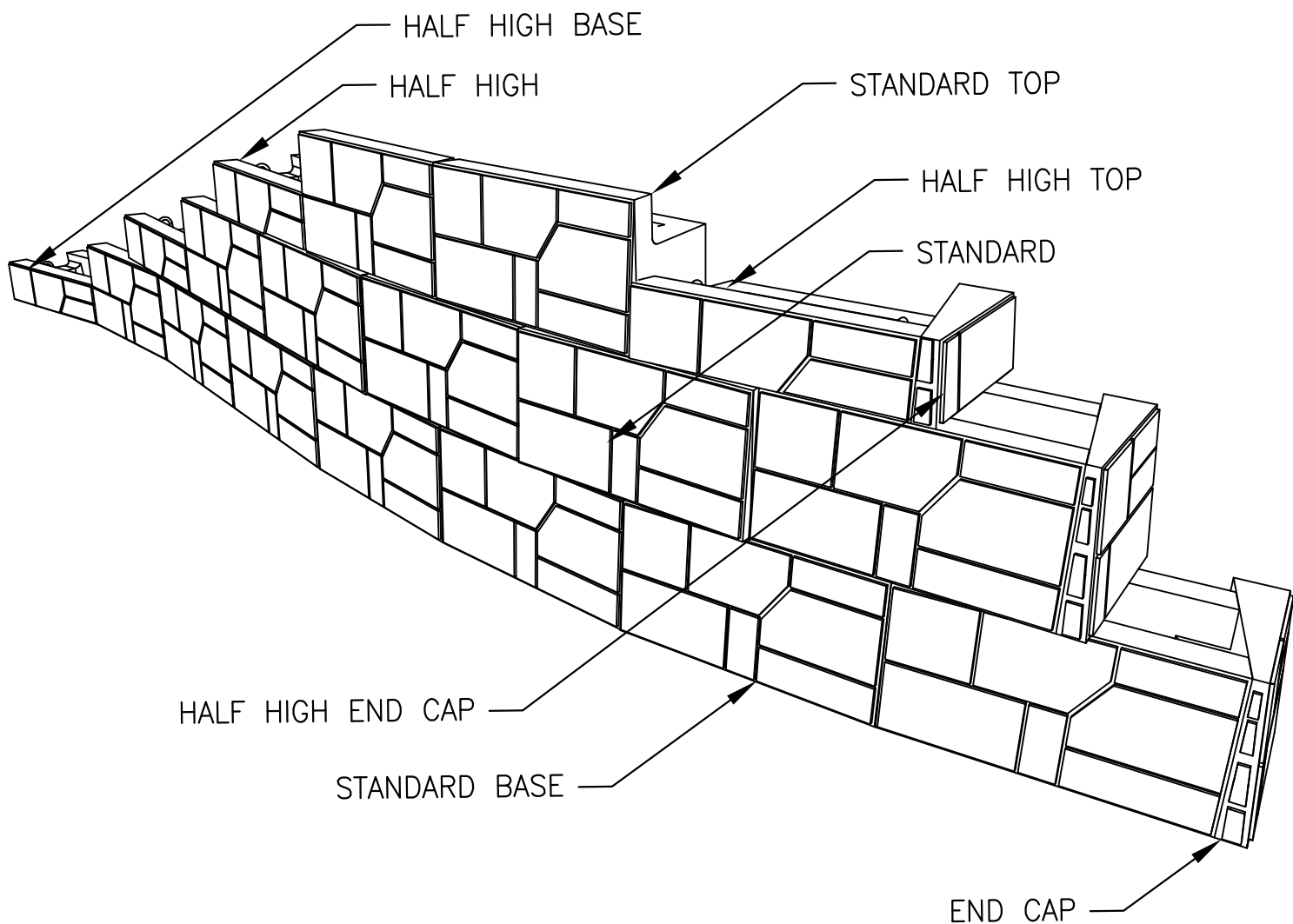


MagnumStone Batter

>>> THE SYSTEM

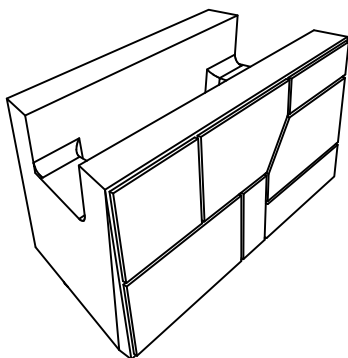


CORNERSTONE
WALL SOLUTIONS INC.

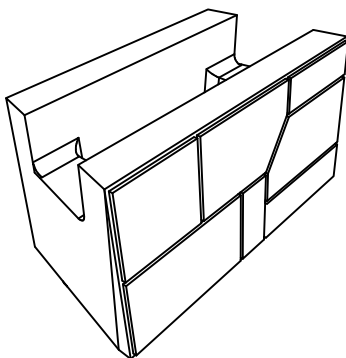
These preliminary details are intended solely to act as an aid when designing a wall. This drawing should not be used for final design or construction. Each site-specific wall should be certified and signed by a registered geotechnical engineer in the State or Province that it is being built. The accuracy and use of the details in this document are the sole responsibility of the user.

MagnumStone Batter

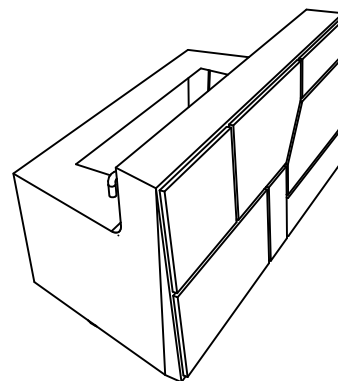
>>> THE UNITS



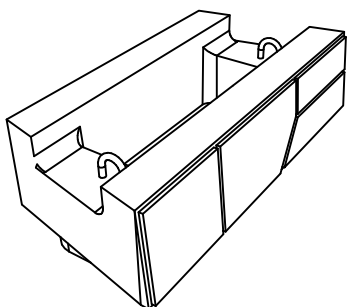
>>>STANDARD



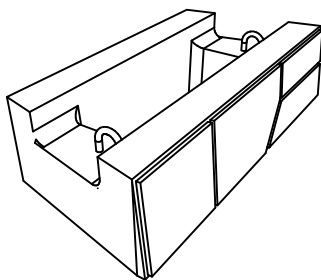
>>>STANDARD BASE



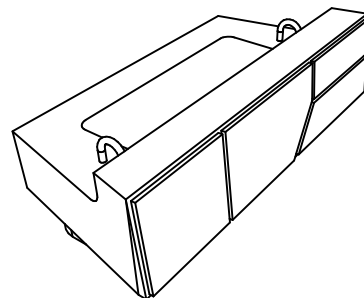
>>>STANDARD TOP



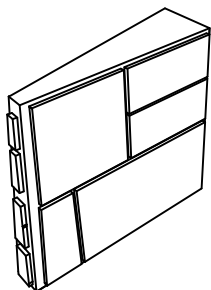
>>>HALF HIGH



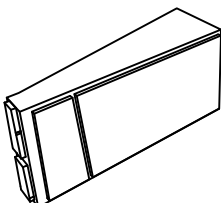
>>>HALF HIGH BASE



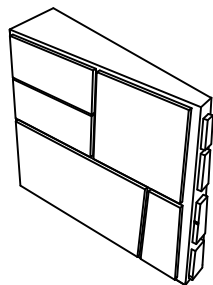
>>>HALF HIGH TOP



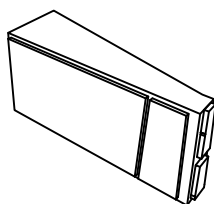
>>>RIGHT END CAP



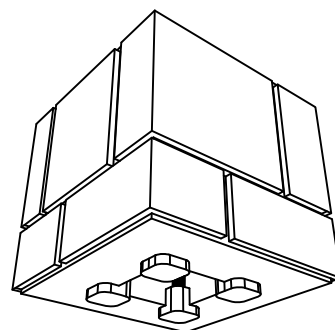
>>>HALF R END CAP



>>>LEFT END CAP



>>>HALF L END CAP



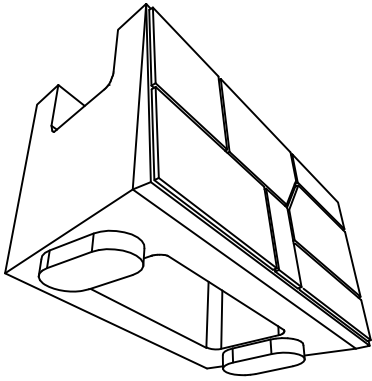
>>>PILLAR

These preliminary details are intended solely to act as an aid when designing a wall. This drawing should not be used for final design or construction. Each site-specific wall should be certified and signed by a registered geotechnical engineer in the State or Province that it is being built. The accuracy and use of the details in this document are the sole responsibility of the user.

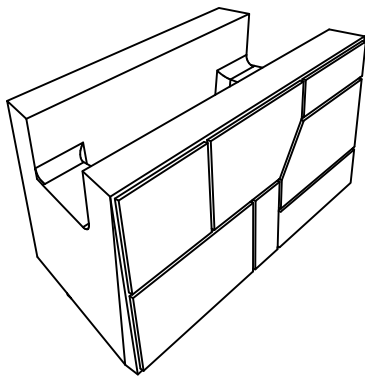
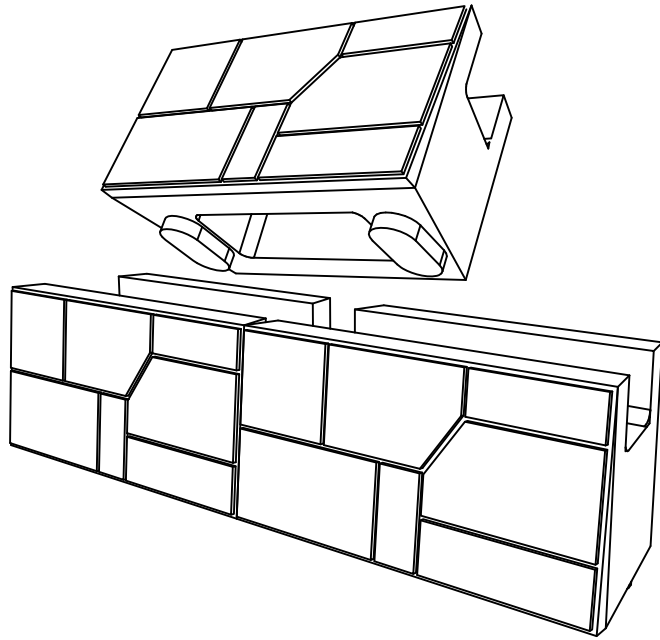


MagnumStone Batter

>>>STANDARD



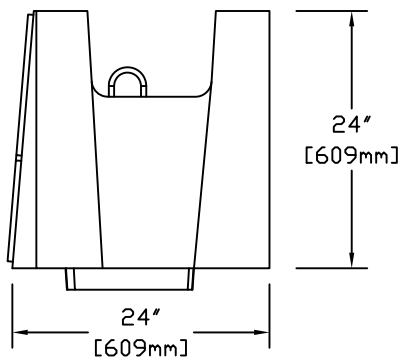
>>>ISOMETRIC BOTTOM VIEW



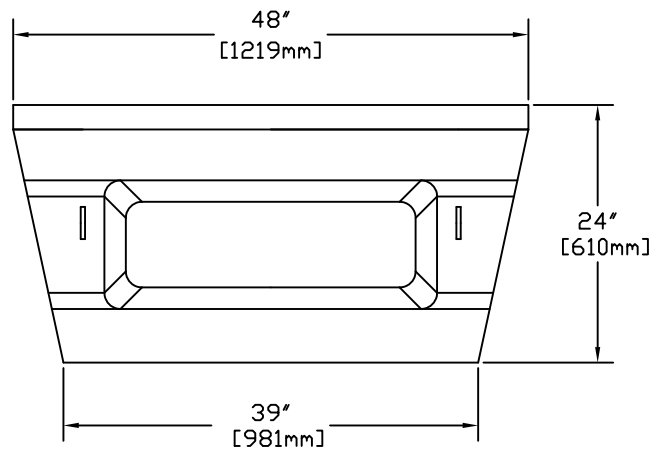
>>>ISOMETRIC TOP VIEW

Dimensions

Face Width	48"	1219mm
Back Width	39"	991mm
Depth	24"	610mm
Height	24"	610mm
Face Area	8 sq ft	0.74 sq m
Setback	4.5°	2.0"/Unit
Weight	1400lbs	635Kg*



>>>SIDE VIEW



>>> TOP VIEW

*Weights may vary between producers



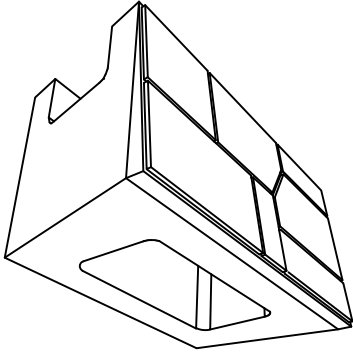
CORNERSTONE
WALL SOLUTIONS INC.

These preliminary details are intended solely to act as an aid when designing a wall. This drawing should not be used for final design or construction. Each site-specific wall should be certified and signed by a registered geotechnical engineer in the State or Province that it is being built. The accuracy and use of the details in this document are the sole responsibility of the user.

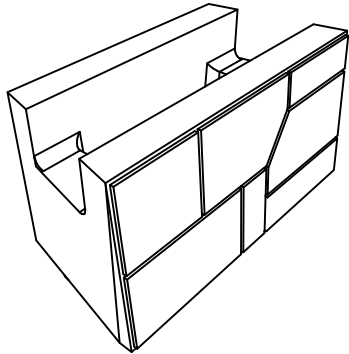
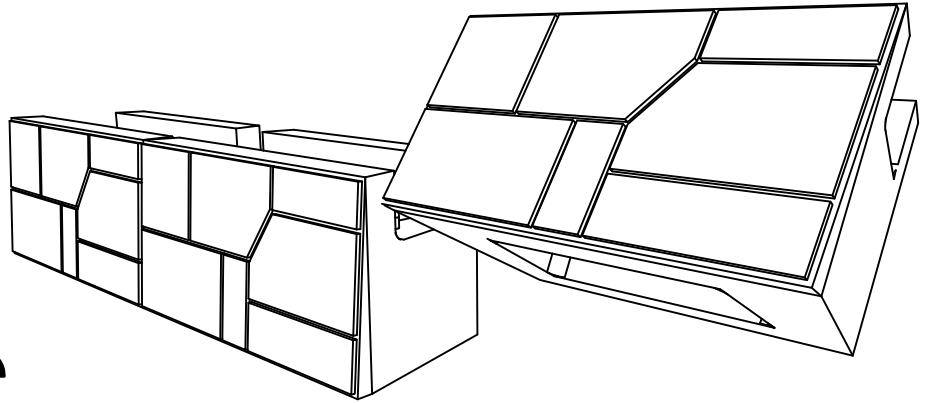
www.cornerstonewallsolutions.com

MagnumStone Batter

>>> STANDARD BASE



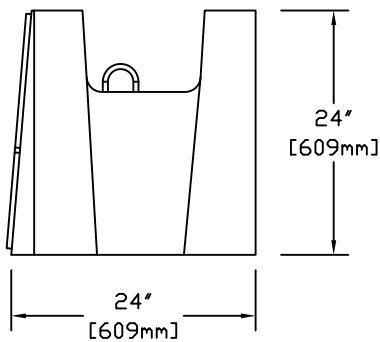
>>> ISOMETRIC BOTTOM VIEW



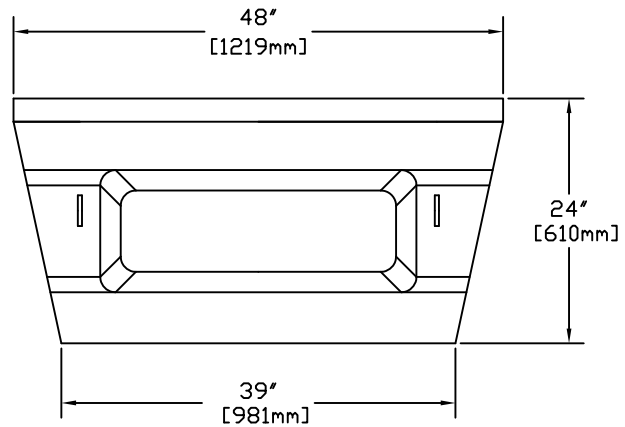
>>> ISOMETRIC TOP VIEW

Dimensions

Face Width	48"	1219mm
Back Width	39"	991mm
Depth	24"	610mm
Height	24"	610mm
Face Area	8 sq ft	0.74 sq m
Setback	4.5°	2.0"/Unit
Weight	1375lbs	624Kg



>>> SIDE VIEW



>>> TOP VIEW

*Weights may vary between producers



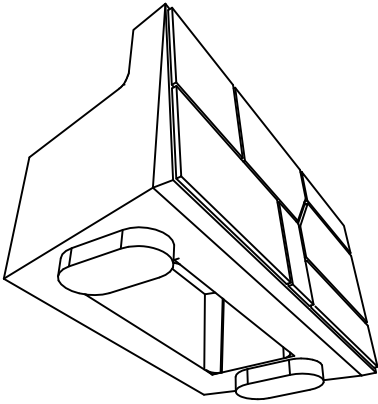
CORNERSTONE
WALL SOLUTIONS INC.

These preliminary details are intended solely to act as an aid when designing a wall. This drawing should not be used for final design or construction. Each site-specific wall should be certified and signed by a registered geotechnical engineer in the State or Province that it is being built. The accuracy and use of the details in this document are the sole responsibility of the user.

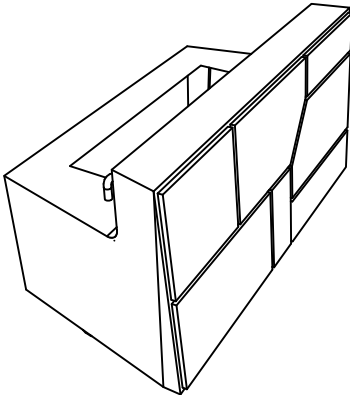
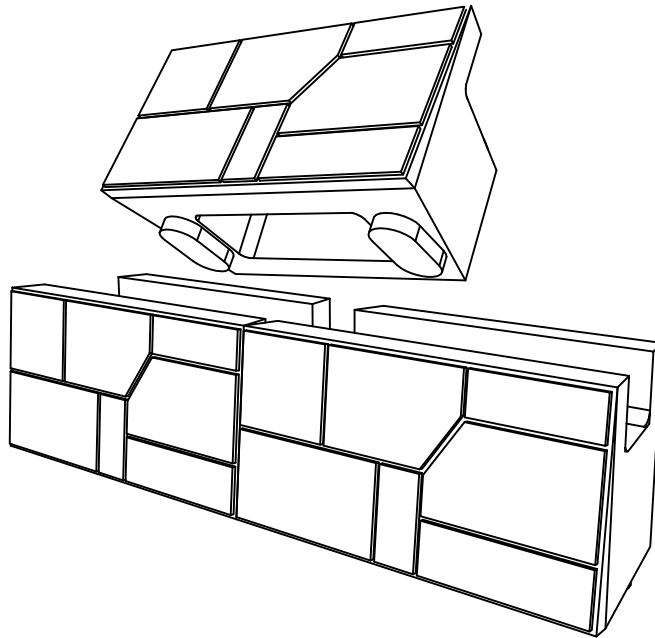
www.cornerstonewallsolutions.com

MagnumStone Batter

>>>STANDARD TOP



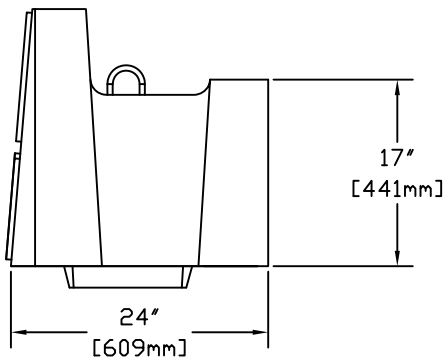
>>>ISOMETRIC BOTTOM VIEW



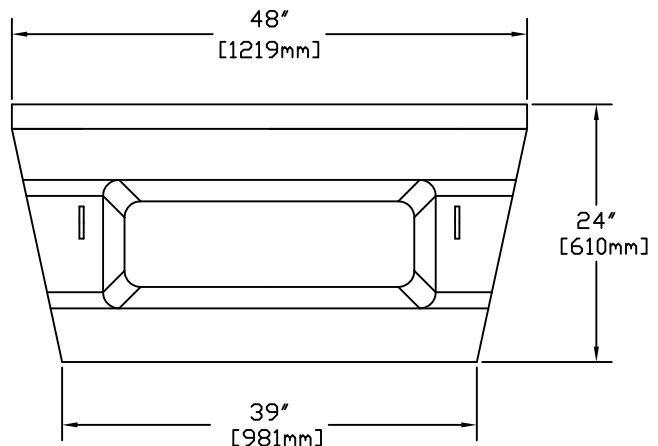
>>>ISOMETRIC TOP VIEW

Dimensions

Face Width	48"	1219mm
Back Width	39"	991mm
Depth	24"	610mm
Height	24"	610mm
Face Area	8 sq ft	0.74 sq m
Setback	4.5°	2.0"/Unit
Weight	1240lbs	562Kg



>>>SIDE VIEW



>>> TOP VIEW

*Weights may vary between producers



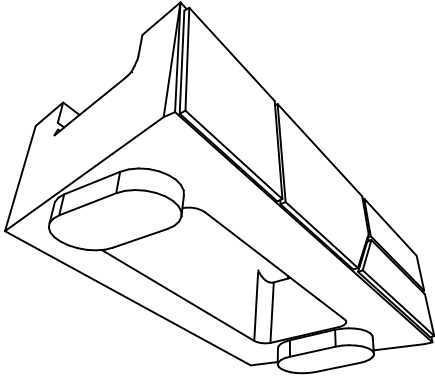
CORNERSTONE
WALL SOLUTIONS INC.

These preliminary details are intended solely to act as an aid when designing a wall. This drawing should not be used for final design or construction. Each site-specific wall should be certified and signed by a registered geotechnical engineer in the State or Province that it is being built. The accuracy and use of the details in this document are the sole responsibility of the user.

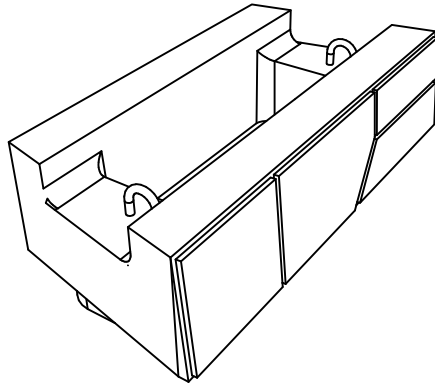
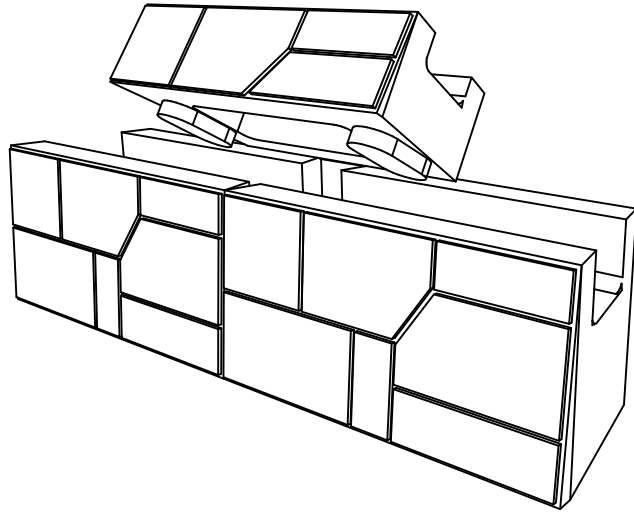
www.cornerstonewallsolutions.com

MagnumStone Batter

>>> HALF HIGH



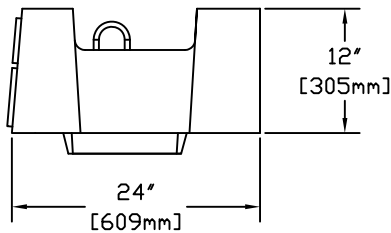
>>> ISOMETRIC BOTTOM VIEW



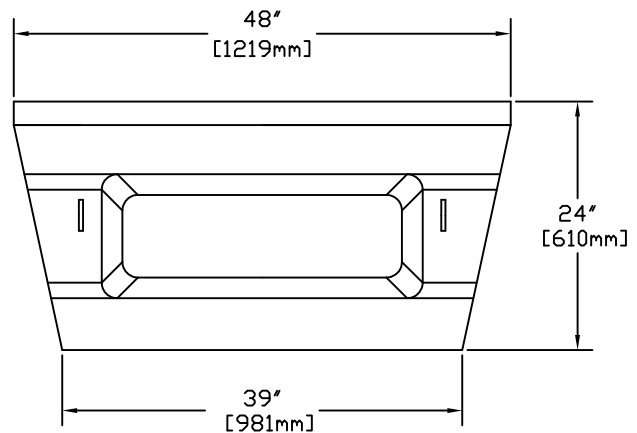
>>> ISOMETRIC TOP VIEW

Dimensions

Face Width	48"	1219mm
Back Width	39"	991mm
Depth	12"	305mm
Height	12"	305mm
Face Area	4 sq ft	0.37sq m
Setback	4.5°	1.0"/Unit
Weight	750lbs	340Kg



>>> SIDE VIEW



>>> TOP VIEW

*Weights may vary between producers

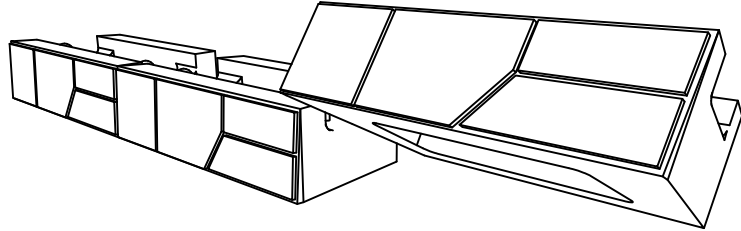
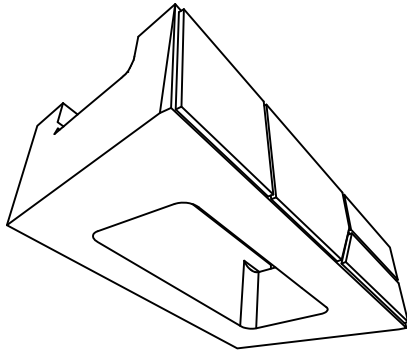


CORNERSTONE
WALL SOLUTIONS INC.

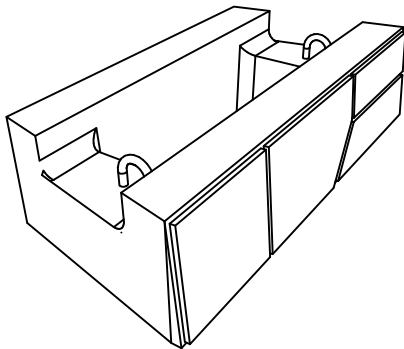
These preliminary details are intended solely to act as an aid when designing a wall. This drawing should not be used for final design or construction. Each site-specific wall should be certified and signed by a registered geotechnical engineer in the State or Province that it is being built. The accuracy and use of the details in this document are the sole responsibility of the user.

MagnumStone Batter

>>> HALF HIGH BASE



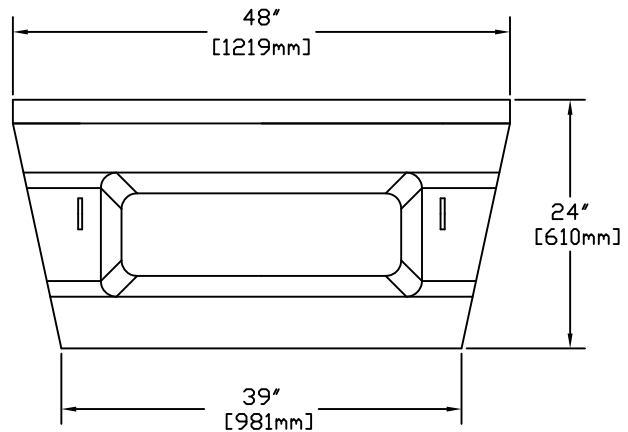
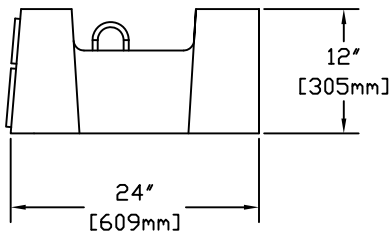
>>> ISOMETRIC BOTTOM VIEW



Dimensions

Face Width	48"	1219mm
Back Width	39"	991mm
Depth	12"	305mm
Height	12"	305mm
Face Area	4 sq ft	0.37sq m
Setback	4.5°	1.0"/Unit
Weight	725lbs	329Kg

>>> ISOMETRIC TOP VIEW



>>> SIDE VIEW

>>> TOP VIEW

*Weights may vary between producers

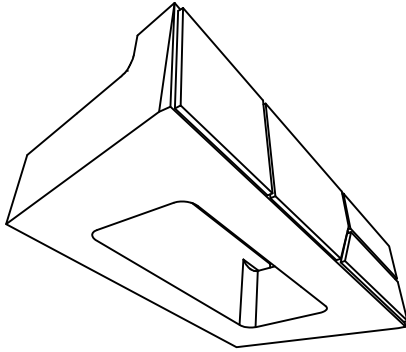


CORNERSTONE
WALL SOLUTIONS INC.

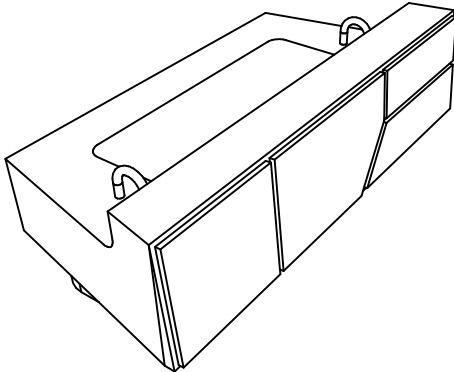
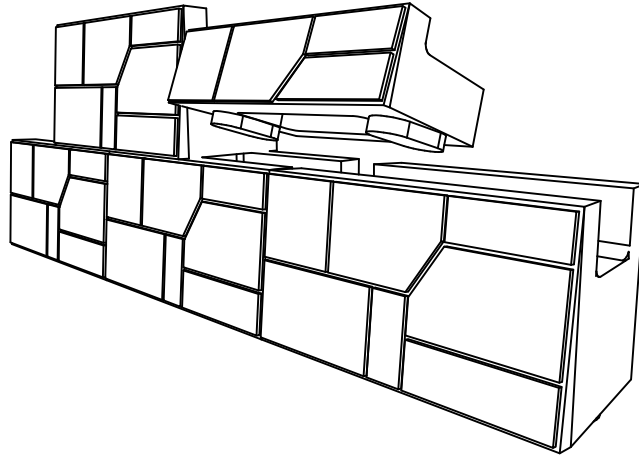
These preliminary details are intended solely to act as an aid when designing a wall. This drawing should not be used for final design or construction. Each site-specific wall should be certified and signed by a registered geotechnical engineer in the State or Province that it is being built. The accuracy and use of the details in this document are the sole responsibility of the user.

MagnumStone Batter

>>> HALF HIGH TOP



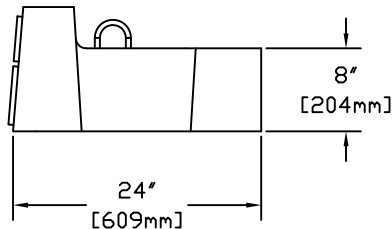
>>> ISOMETRIC BOTTOM VIEW



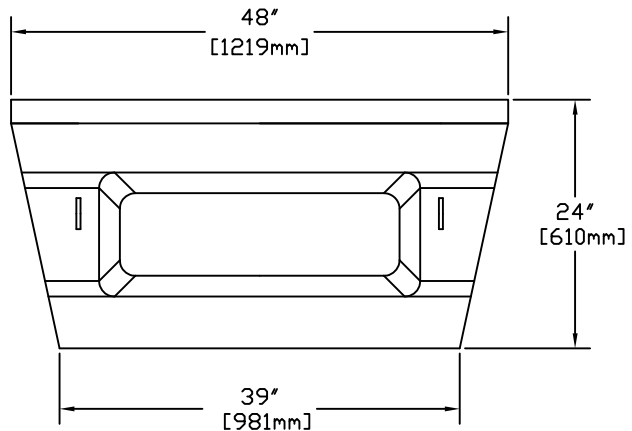
>>> ISOMETRIC TOP VIEW

Dimensions

Face Width	48"	1219mm
Back Width	39"	991mm
Depth	12"	305mm
Height	12"	305mm
Face Area	4 sq ft	0.37sq m
Setback	4.5°	1.0"/Unit
Weight	670lbs	304Kg



>>> SIDE VIEW



>>> TOP VIEW

*Weights may vary between producers



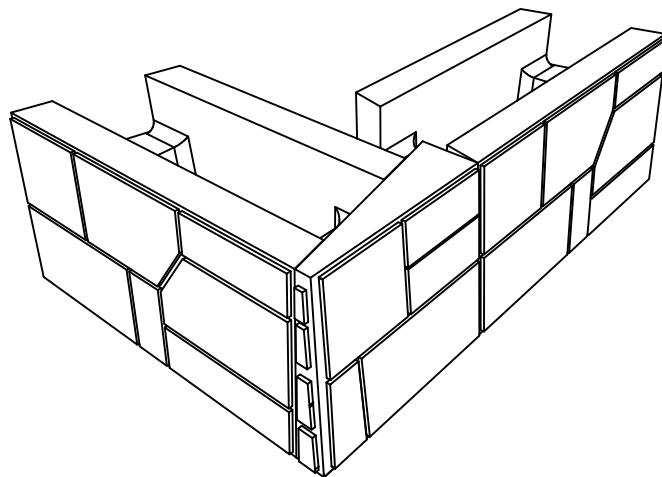
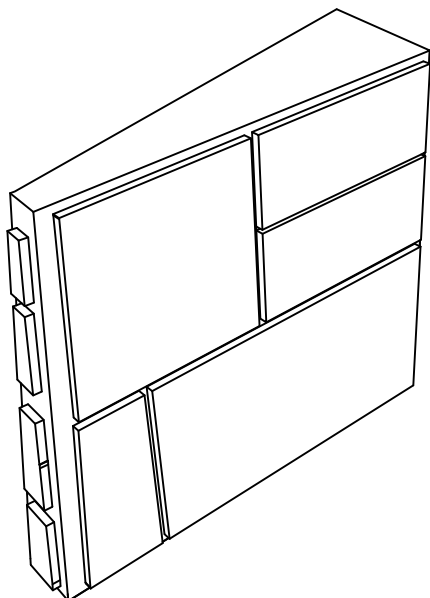
CORNERSTONE
WALL SOLUTIONS INC.

These preliminary details are intended solely to act as an aid when designing a wall. This drawing should not be used for final design or construction. Each site-specific wall should be certified and signed by a registered geotechnical engineer in the State or Province that it is being built. The accuracy and use of the details in this document are the sole responsibility of the user.

www.cornerstonewallsolutions.com

MagnumStone Batter

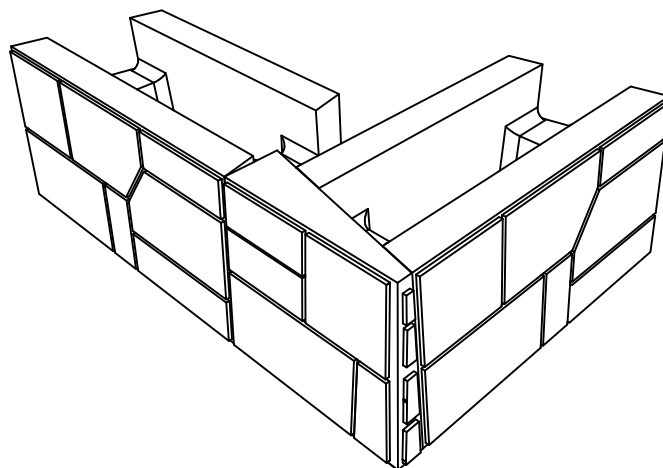
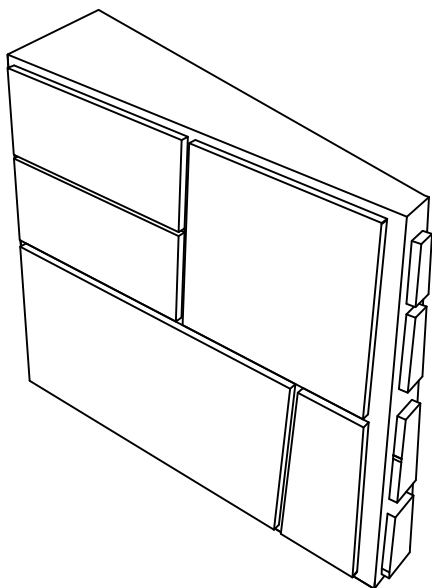
>>>END CAP



Dimensions

Face Width	26"	660mm
Back Width	26"	660mm
Depth	3/8.5"	76/215mm
Height	24"	610mm
Face Area	4.3sq ft	0.4 sq m
Setback	4.5°	2"/Unit
Weight	314lbs	142Kg

>>>RIGHT END CAP



>>>LEFT END CAP



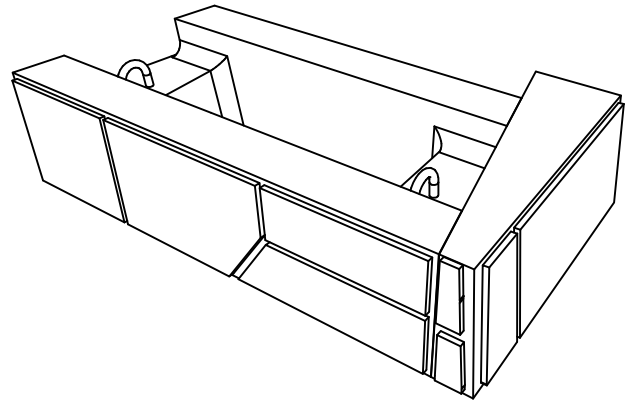
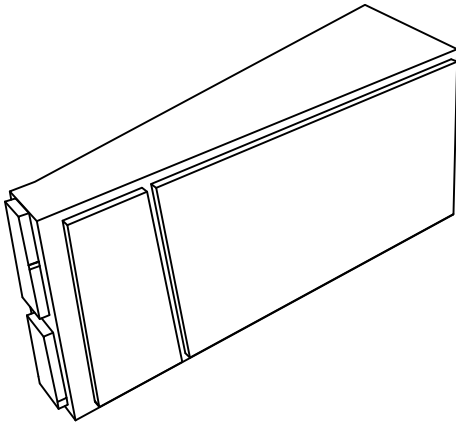
CORNERSTONE
WALL SOLUTIONS INC.

These preliminary details are intended solely to act as an aid when designing a wall. This drawing should not be used for final design or construction. Each site-specific wall should be certified and signed by a registered geotechnical engineer in the State or Province that it is being built. The accuracy and use of the details in this document are the sole responsibility of the user.

www.cornerstonewallsolutions.com

MagnumStone Batter

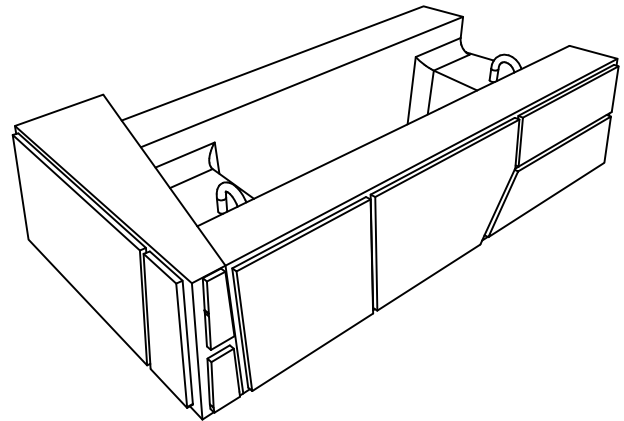
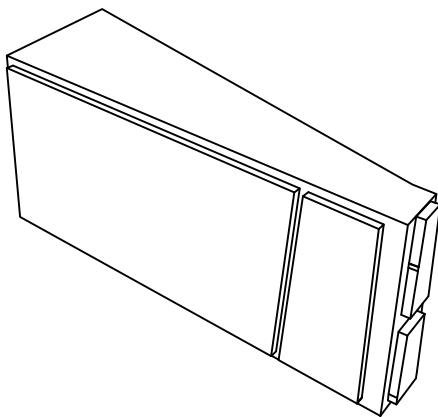
>>> HALF END CAP



Dimensions

Face Width	26"	660mm
Back Width	26"	660mm
Depth	8/9"	203/229mm
Height	12"	305mm
Face Area	4 sq ft	0.37 sq m
Setback	4.5°	1"/Unit
Weight	150lbs	68Kg

>>> RIGHT END CAP



>>> LEFT END CAP



CORNERSTONE
WALL SOLUTIONS INC.

These preliminary details are intended solely to act as an aid when designing a wall. This drawing should not be used for final design or construction. Each site-specific wall should be certified and signed by a registered geotechnical engineer in the State or Province that it is being built. The accuracy and use of the details in this document are the sole responsibility of the user.